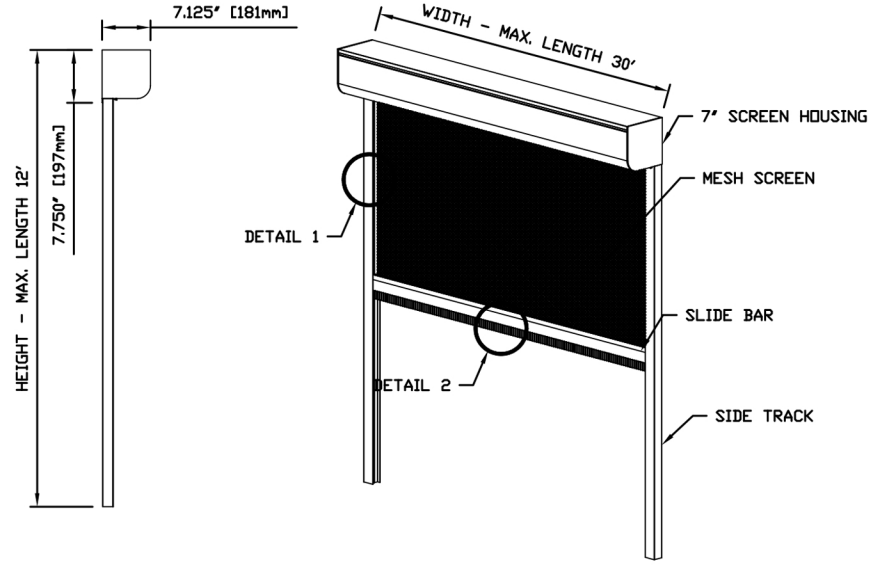
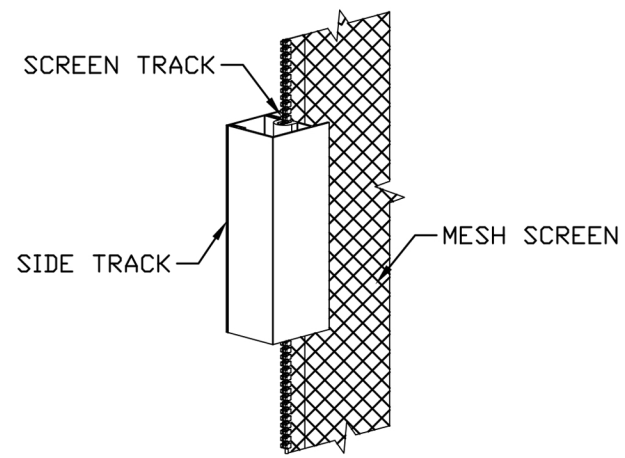


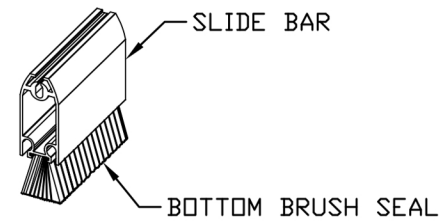
5 1/2" STANDARD SCREEN ASSEMBLY  
SCALE: 3/4" = 1'-0"



7" ALTERNATIVE HOUSING SCREEN ASSEMBLY  
SCALE: 3/4" = 1'-0"



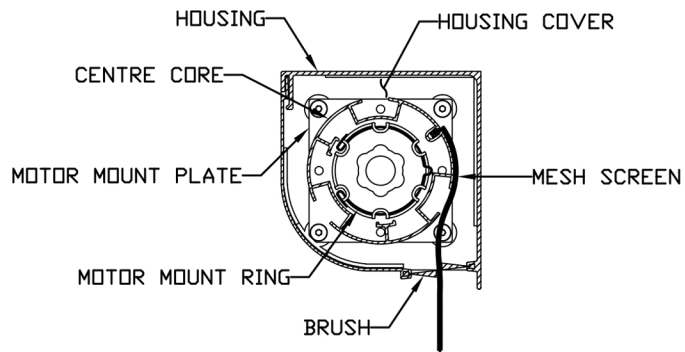
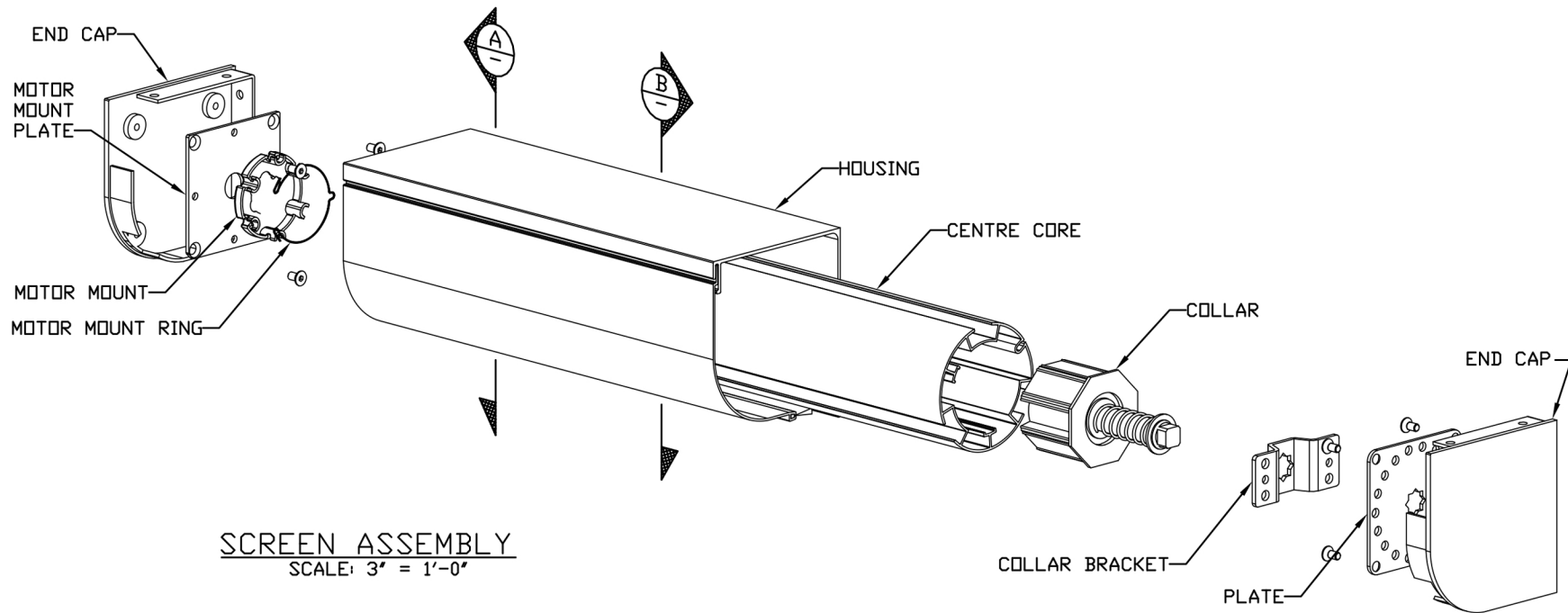
DETAIL 1  
SCALE: 3" = 1'-0"



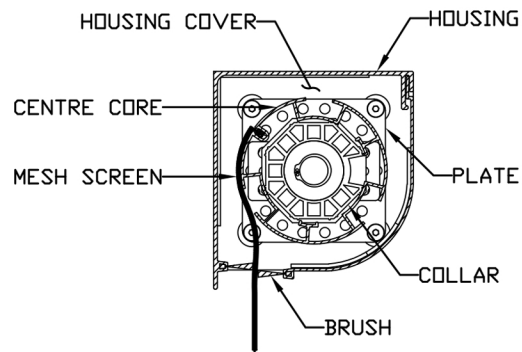
DETAIL 2  
SCALE: 3" = 1'-0"

<b>A-01</b>	
SCALE: N.T.S.	DATE:
<b>HEADER INSTALLATION</b>	
DRAWN BY:	
Date	
Revision	
Rev	





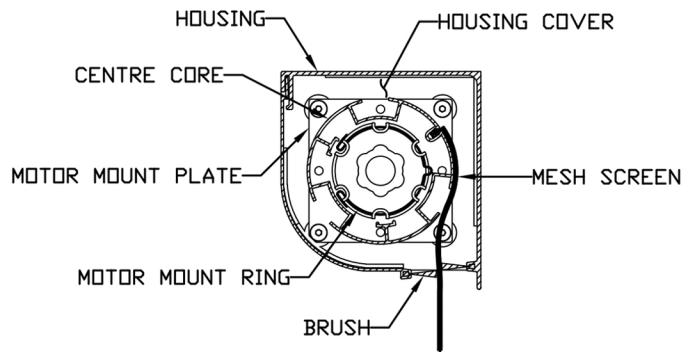
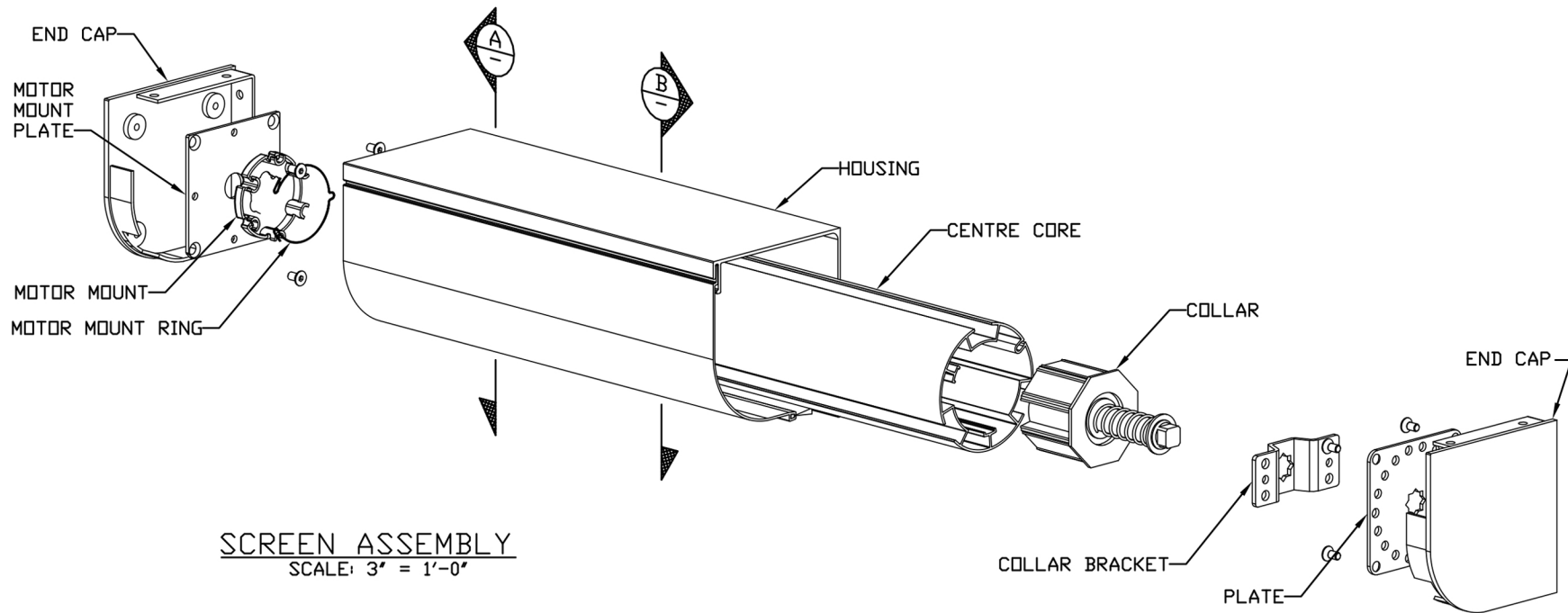
**SECTION VIEW A**  
SCALE: 3" = 1'-0"



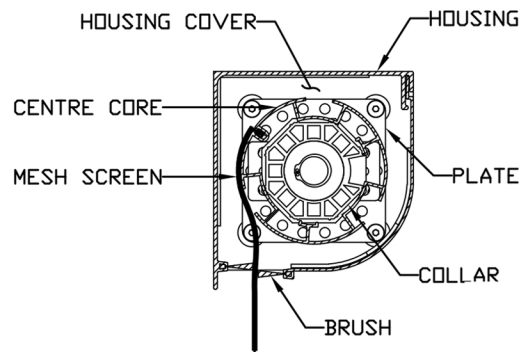
**SECTION VIEW B**  
SCALE: 3" = 1'-0"

Rev		Revision		Date	By	DRAWN BY:	SCALE: N.T.S.	DATE:	A-02
		HEADER INSTALLATION							



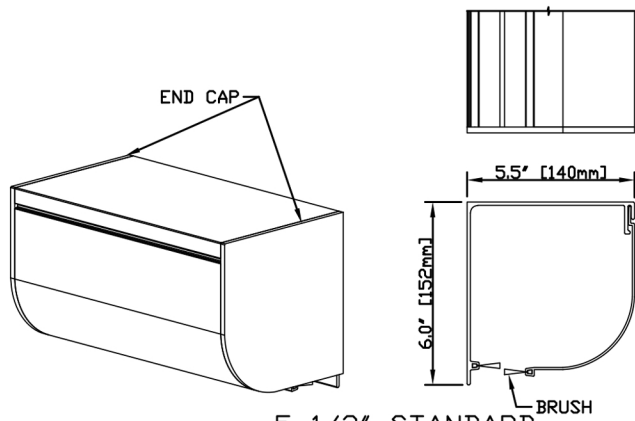


**SECTION VIEW A**  
SCALE: 3" = 1'-0"

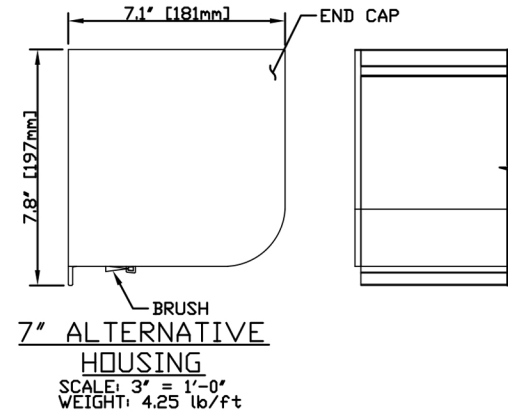
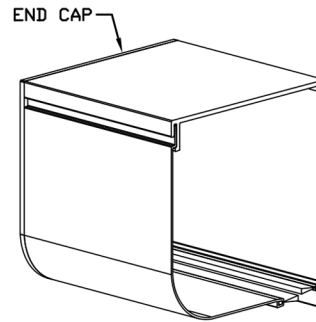


**SECTION VIEW I**  
SCALE: 3" = 1'-0"

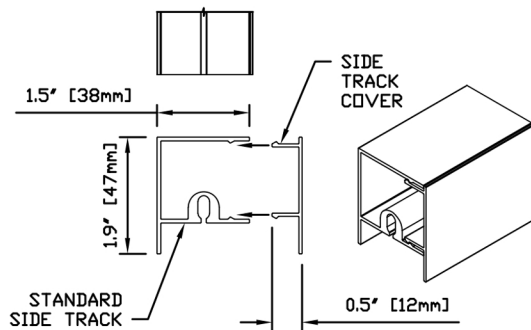
Rev		Revision		Date	By	DRAWN BY:	SCALE: N.T.S.	DATE:	HEADER INSTALLATION	A-02



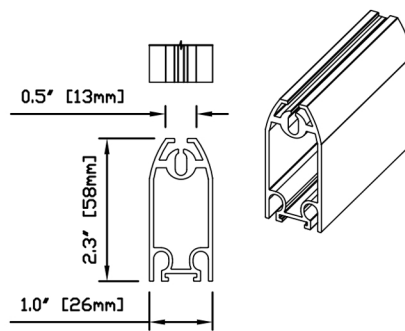
**5 1/2" STANDARD HOUSING**  
 SCALE: 3" = 1'-0"  
 WEIGHT: 2 lb/ft



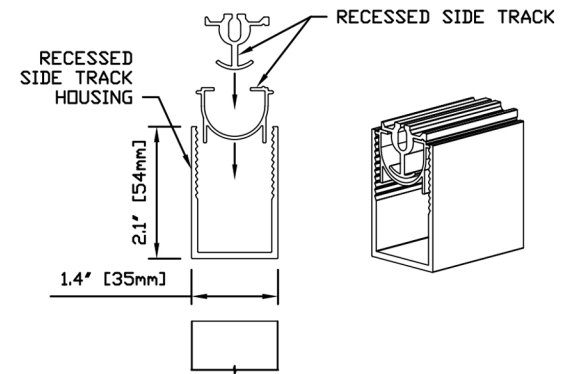
**7" ALTERNATIVE HOUSING**  
 SCALE: 3" = 1'-0"  
 WEIGHT: 4.25 lb/ft



**SIDE TRACK**  
 SCALE: 6" = 1'-0"  
 WEIGHT: 0.32 lb/ft



**SLIDE BAR**  
 SCALE: 6" = 1'-0"  
 WEIGHT: 0.75 lb/ft



**RECESSED TRACK**  
 SCALE: 6" = 1'-0"  
 WEIGHT: 0.71 lb/ft

Rev	Revision	Date	By	Drawn By	SCALE: N.T.S.	DATE:	HEADER INSTALLATION