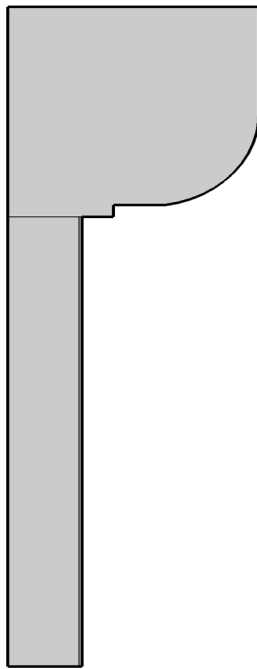
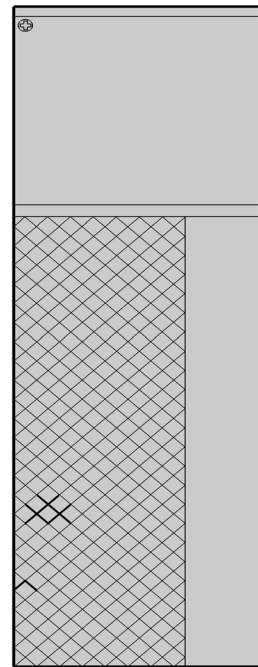




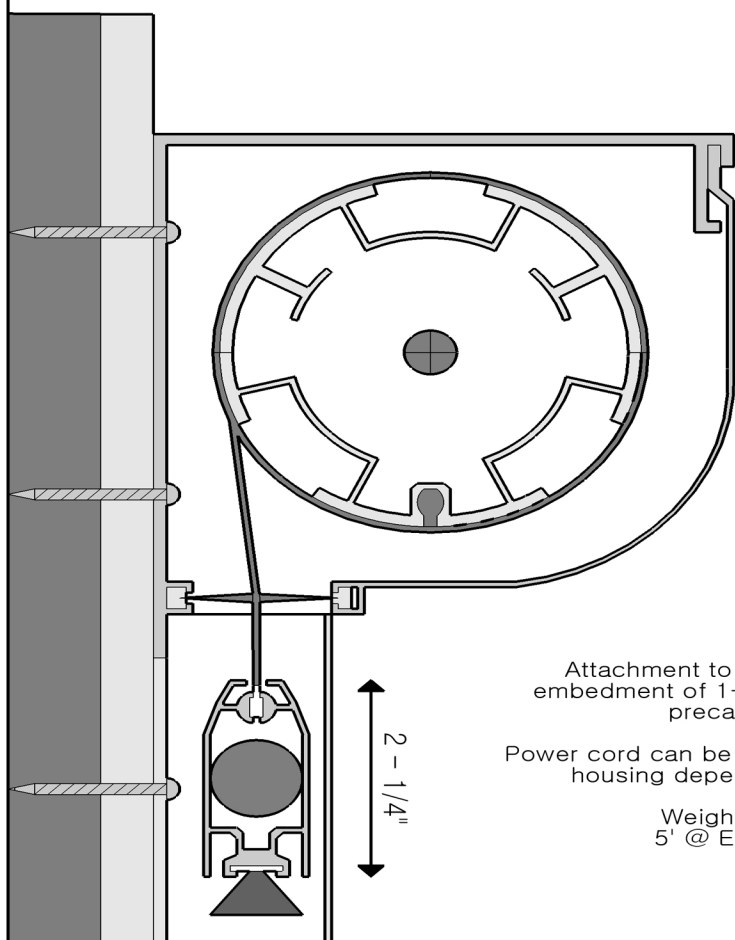
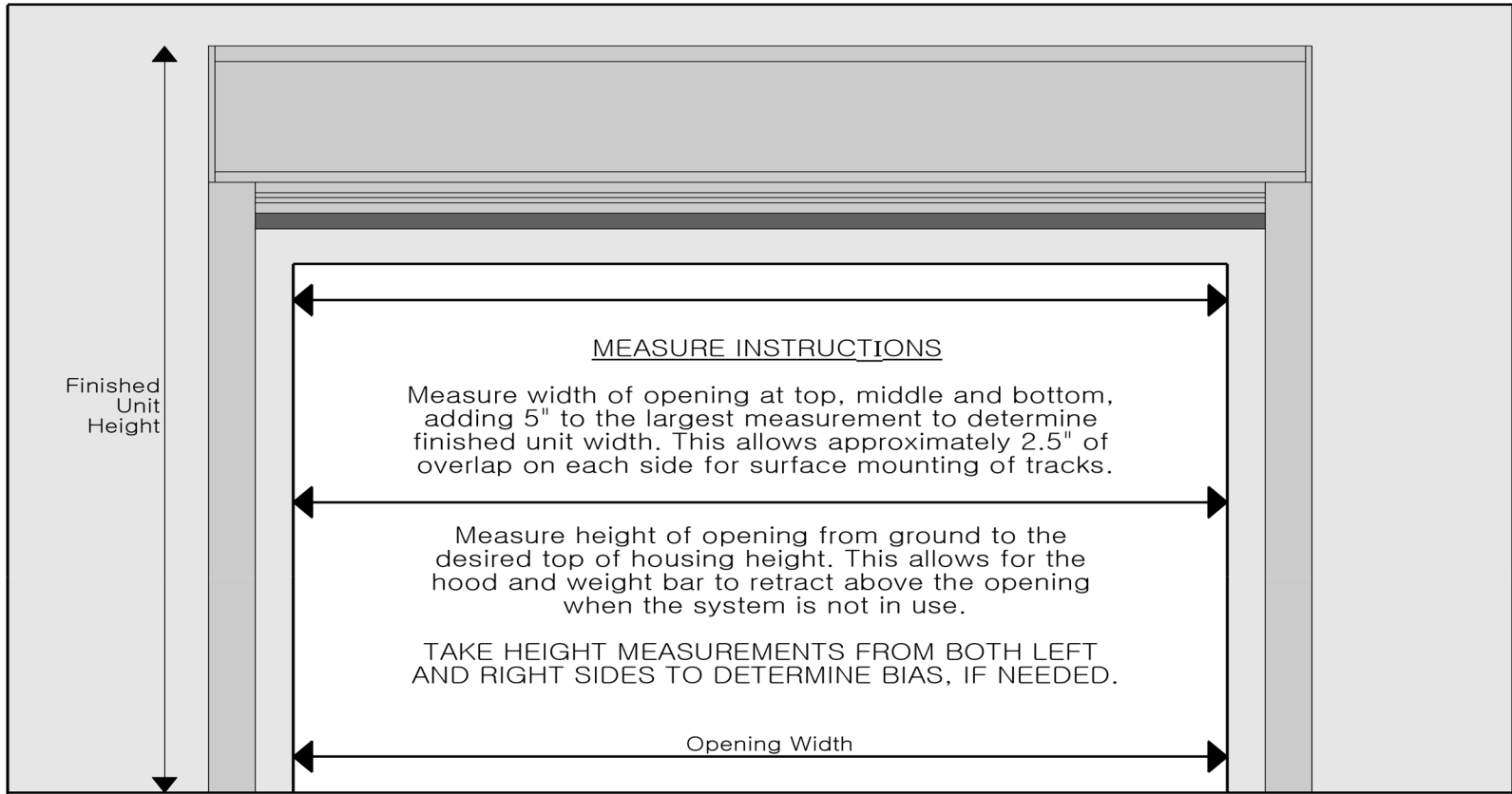
Motorized Roll Screen Products, 5-1/2" and 7" Housings
Up to 30' in Width



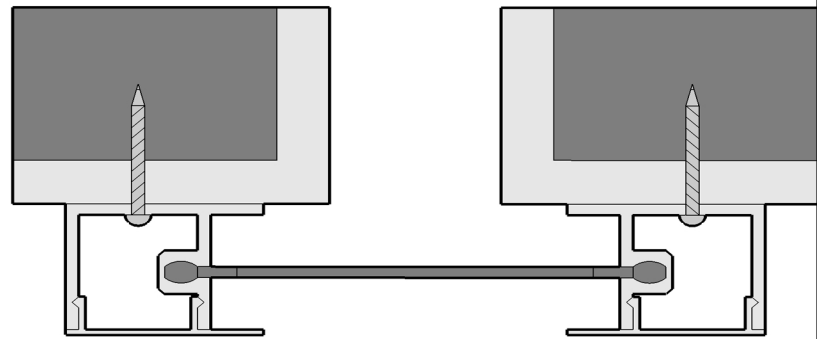
Side/Profile View



Front View



Surface Track
 Hollow w/snap cover
 Fasteners 24" OC, w/Min. Embedment 1-1/2"
 Wood 1/4" SDS or CMU 1/4" Masonry Screws

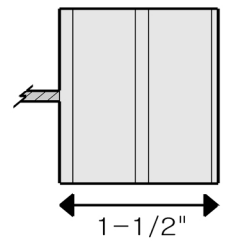


Installation Notes

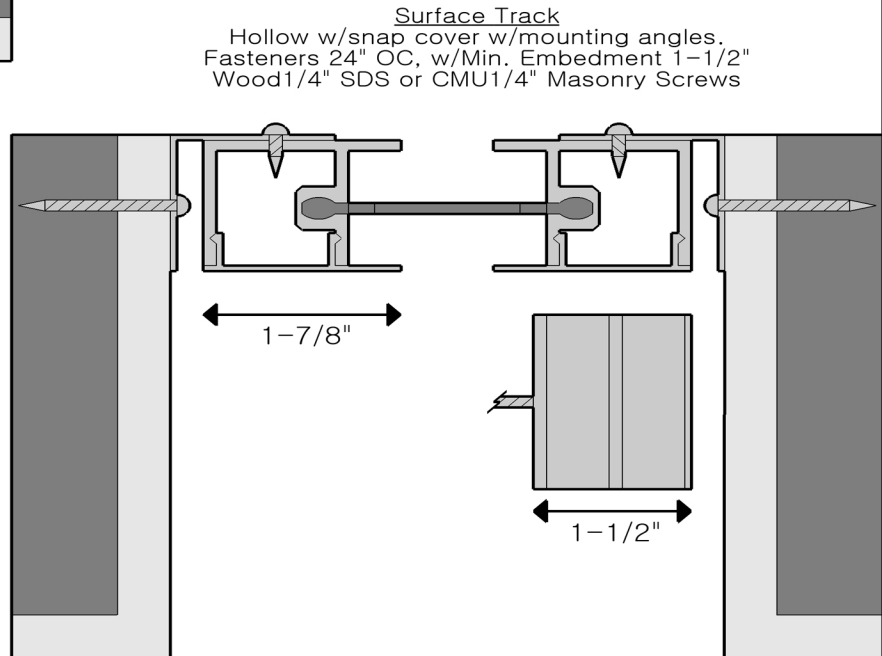
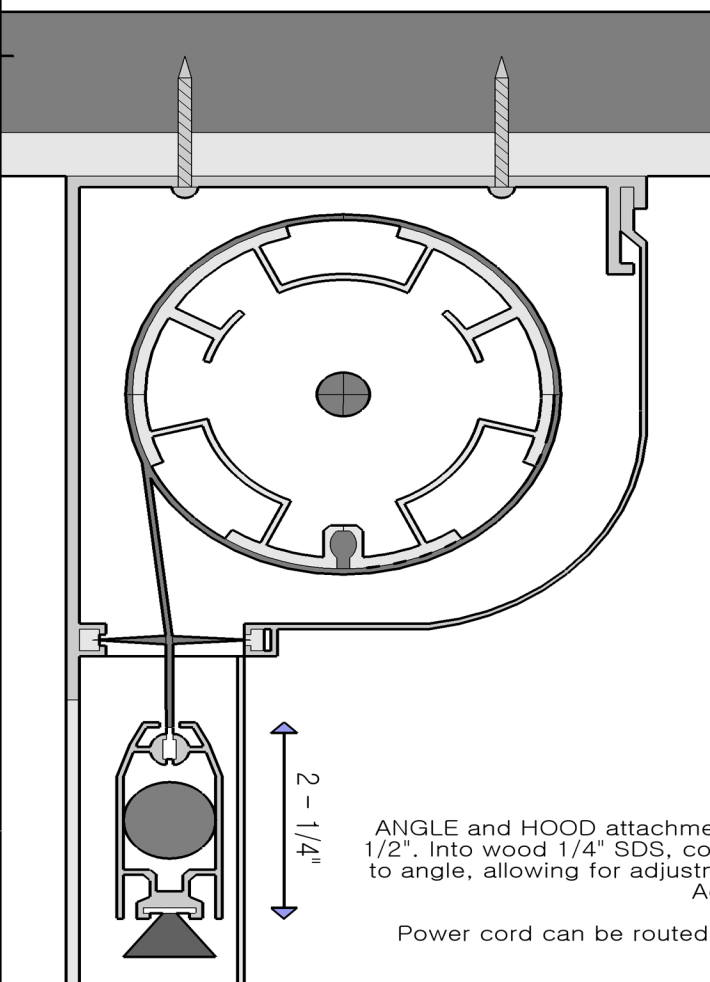
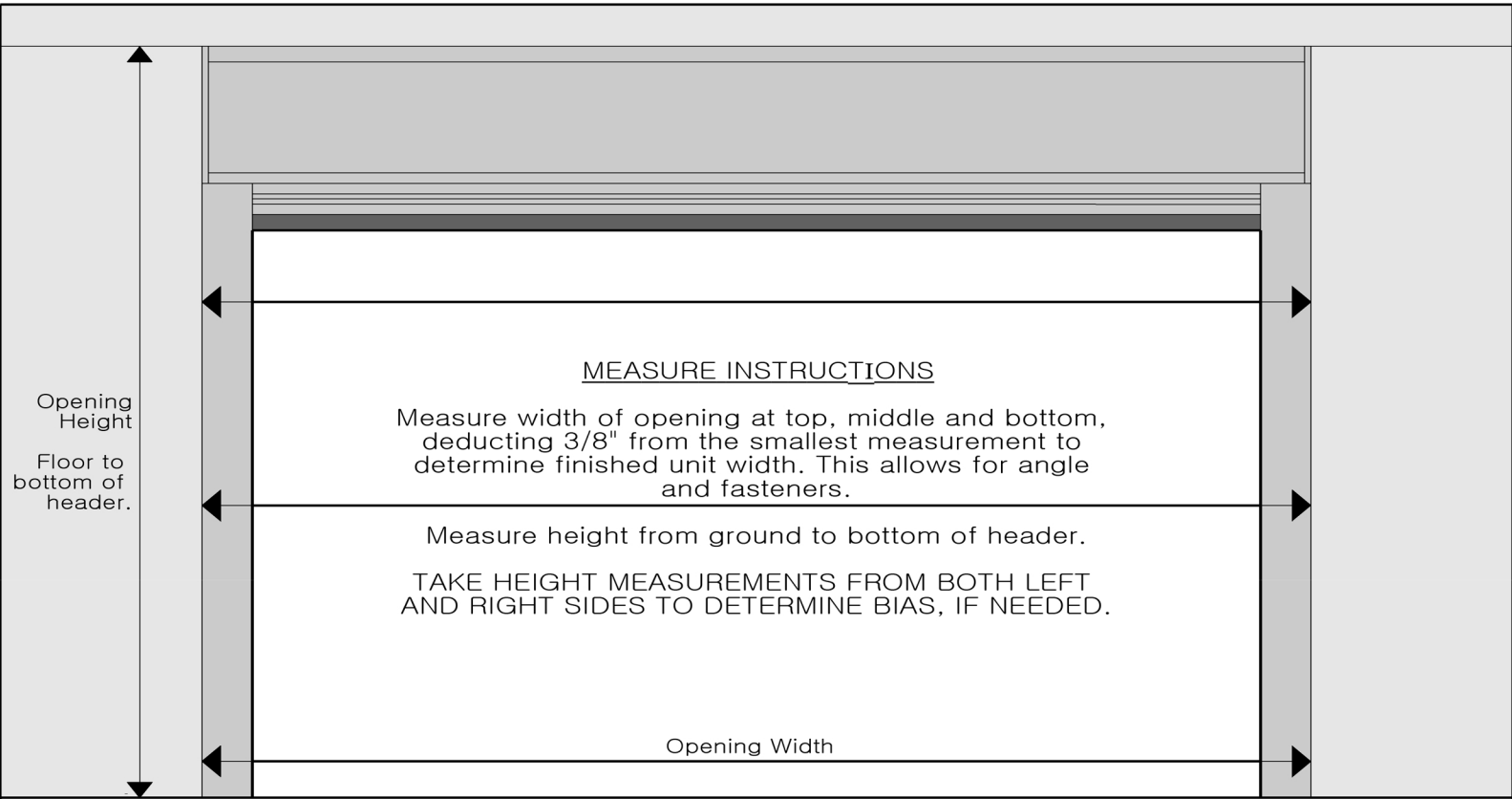
Attachment to vertical surface, recommended min. embedment of 1-1/2". Into wood 1/4" SDS, concrete or precast use 1/4" masonry screws.

Power cord can be routed through track or out of top/rear of housing depending on location of electrical outlet.

Weighted Bottom Bar w/#6 Re-Bar
 5' @ Each End for Additional Weight
 (1.5/lbs per foot)



Surface Mount



Installation Notes
ANGLE and HOOD attachment to vertical surface, recommended min. embedment of 1-1/2". Into wood 1/4" SDS, concrete or precast use 1/4" masonry screws. Tracks attached to angle, allowing for adjustment. Weighted Bottom Bar w/#6 Re-Bar 5' @ Each End for Additional Weight (1.5/lbs per foot)

Power cord can be routed through track or out of top/rear of housing depending on location of electrical outlet.

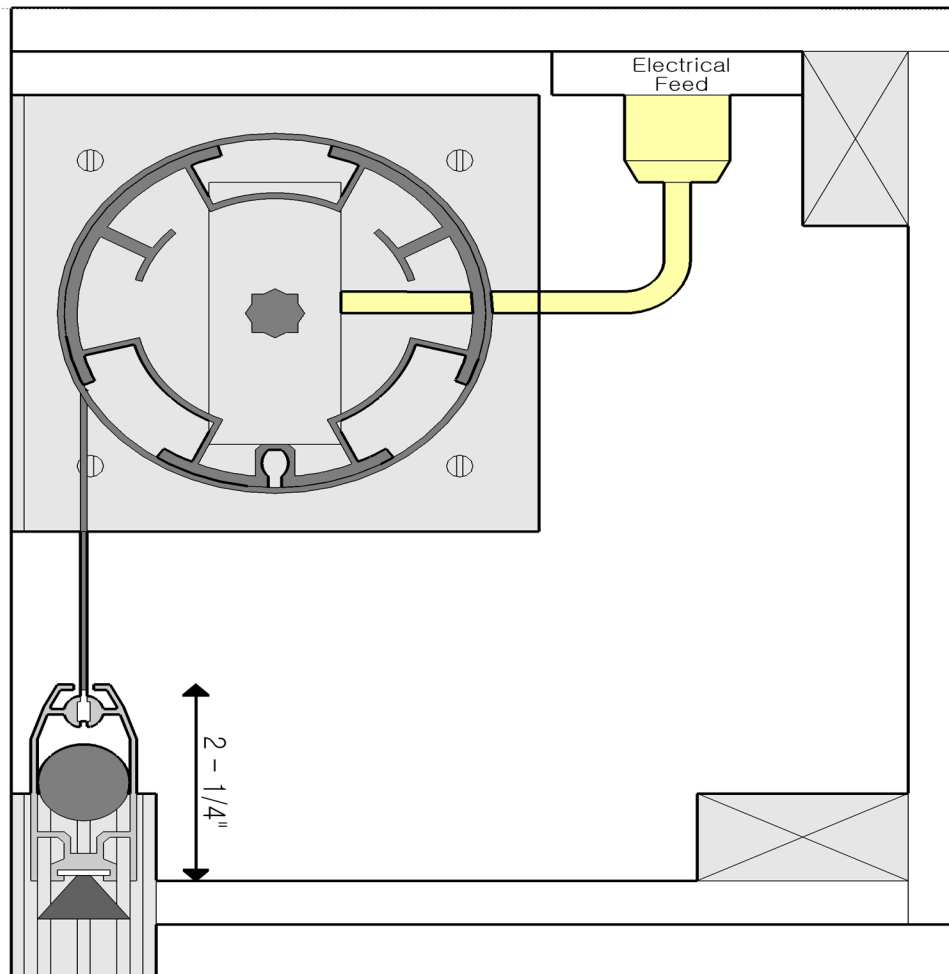
Between the Jambs

Min 9" Internal Height

Electrical Feed

Unit Measured Top, Middle and Bottom.
Use narrowest measurement for outside of U-channel to outside of U-Channel finish width.

U-Channel w/Recess Track Insert



Installation Notes
5"x5" Recess Brackets to receive roll-tube.

NOTE: 7"x7" Brackets typically if width of tube is greater than 20'.

Min. Vertical Clearance of 9" to conceal unit & weight bar and sweep.

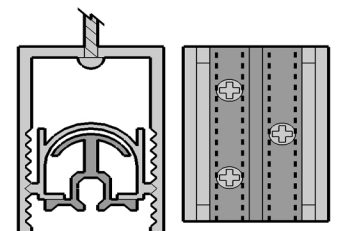
Removeable access panels located at front or bottom of recess cavity.

Power feed required at one of recess cavity, ensuring that receptical/box is forward inside of cavity. Make sure receptacle box allows for screen operation and for removal and installation of roll tube.

Weighted Bottom Bar w/#6 Re-Bar 5' @ Each End for Additional Weight (1.5/lbs per foot)

Recess Track

U-Channel w/track insert and adj. clips. Fasteners 24" OC, Min. Embedment 1-1/2" Wood 1/4" SDS or CMU 1/4" Masonry Screws



1-3/8"

Recessed Tracks