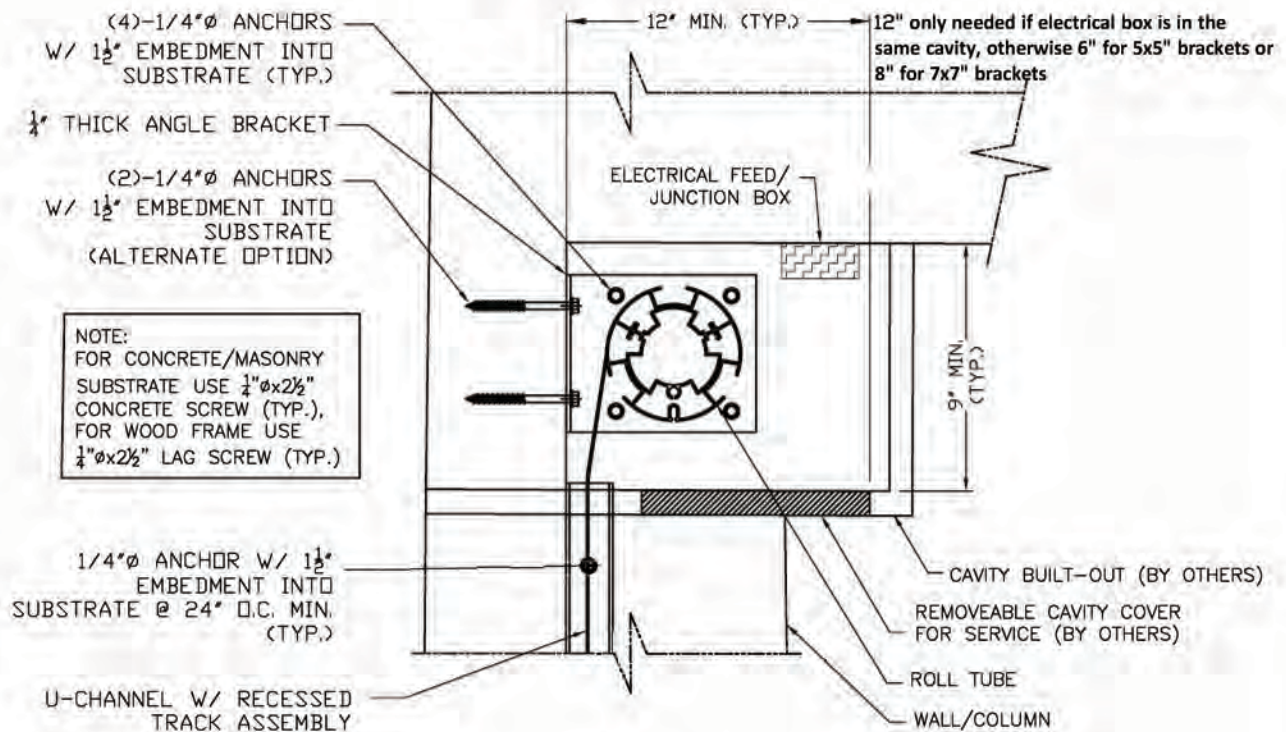


**ELEVATION VIEW**



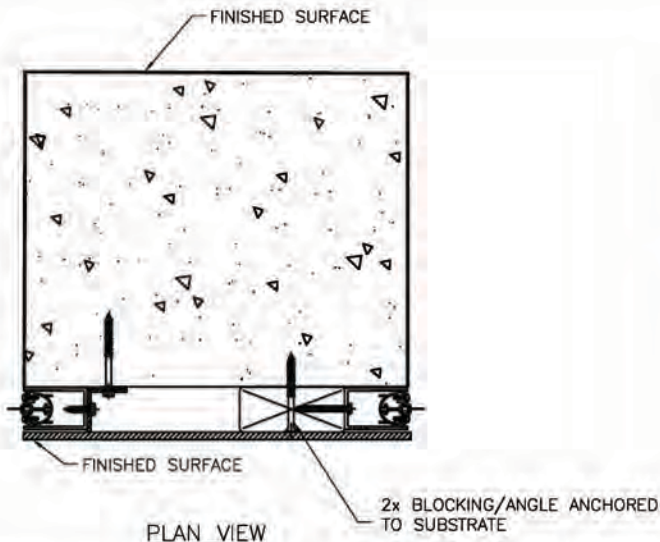
**SECTION "a-a"**  
**SECTION VIEW OF ROLL DOWN SCREEN ASSEMBLY**  
**CONNECTION (BOTTOM ACCESS PANEL)**



Rev.	Revision	Date	By

SCALE: N.T.S.	DATE: 2-25-20
<b>RECESSED INSTALLATION</b>	

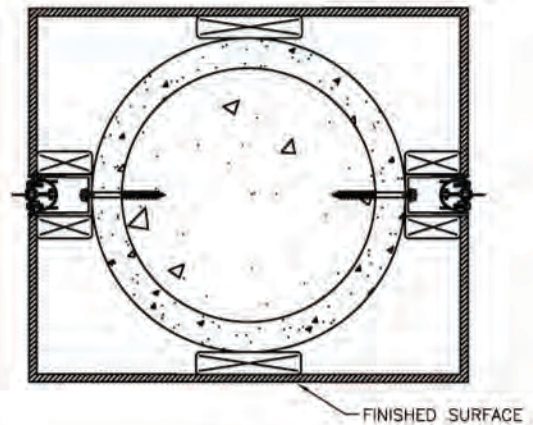
**A-01**



PLAN VIEW

SECTION "b-b"

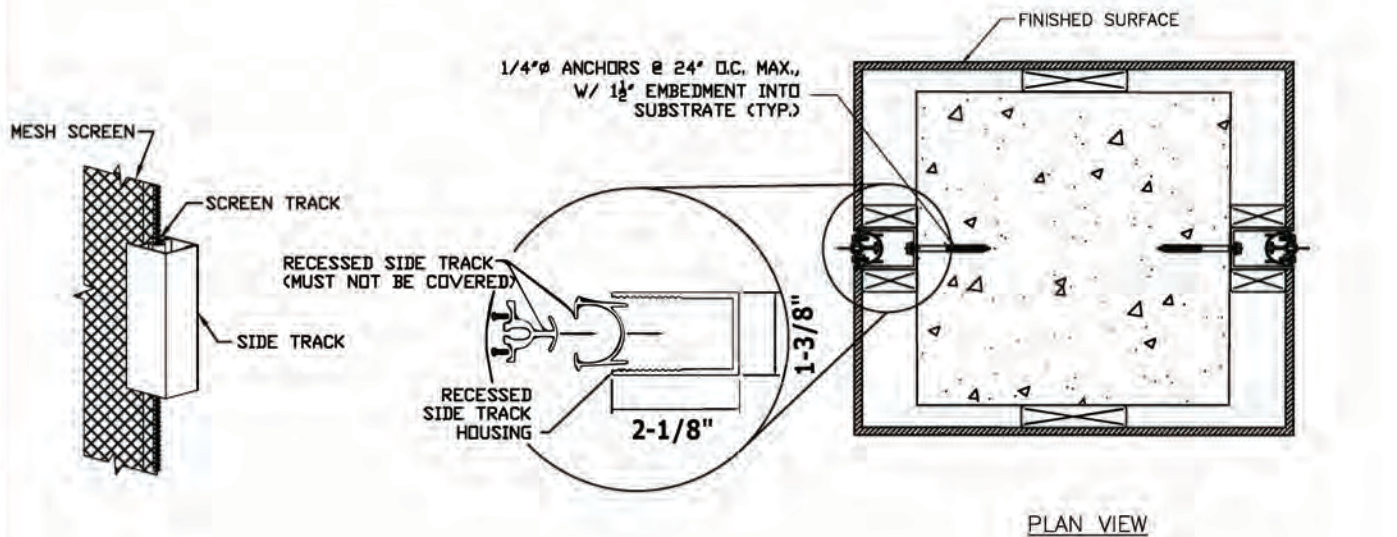
PARTIAL PLAN VIEW OF ROLL DOWN SCREEN  
ASSEMBLY CONNECTION TO COLUMNS-FLANGE MOUNT



PLAN VIEW

SECTION "b-b"

PARTIAL PLAN VIEW OF ROLL DOWN SCREEN  
ASSEMBLY CONNECTION TO COLUMNS-WEB MOUNT



PLAN VIEW

SECTION "b-b"

PARTIAL PLAN VIEW OF ROLL DOWN SCREEN  
ASSEMBLY CONNECTION TO COLUMNS-WEB MOUNT

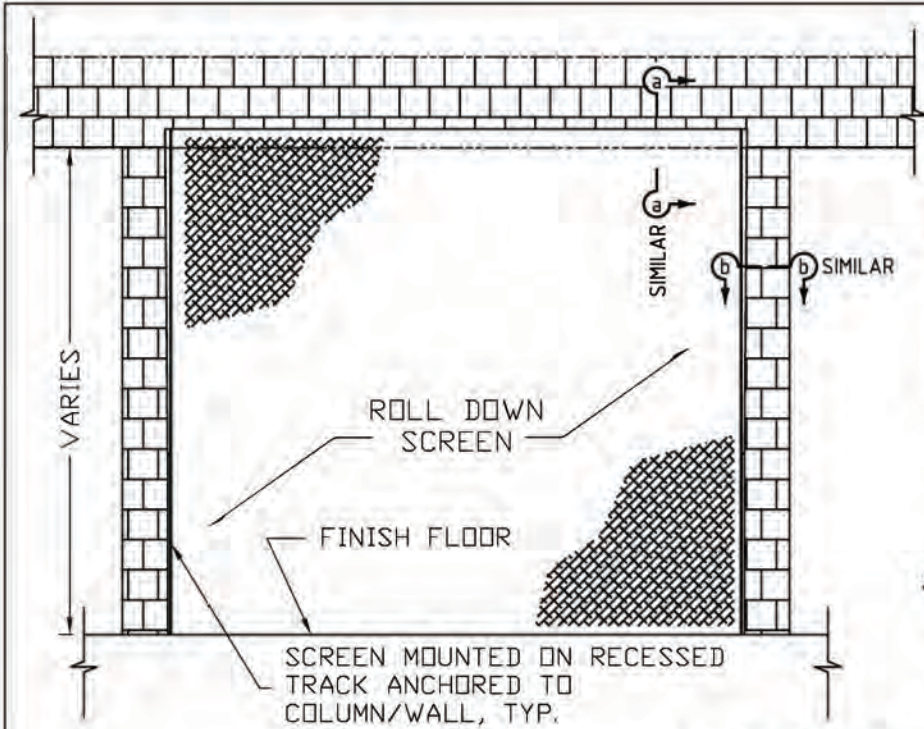


Rev.	Revision	Date	By

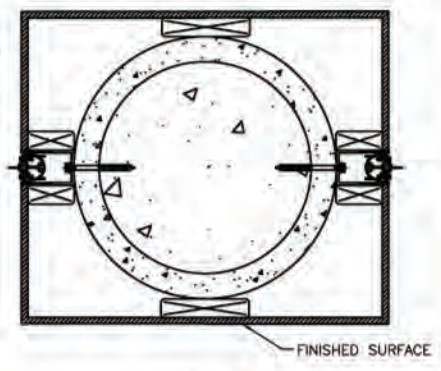
SCALE: N.T.S.	DATE: 2-25-20
<b>RECESSED INSTALLATION</b>	

**A-02**





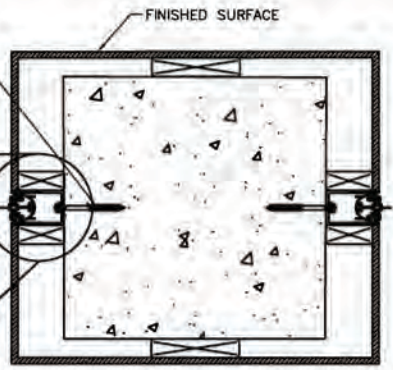
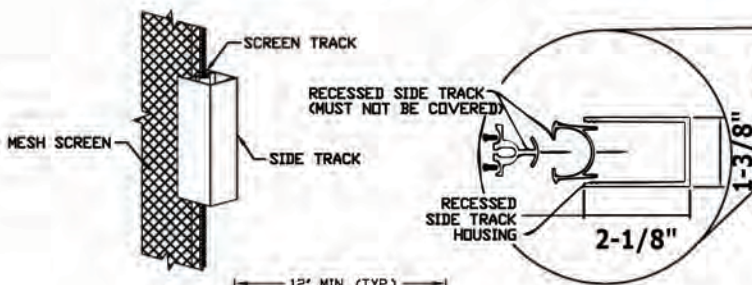
**ELEVATION VIEW**



**PLAN VIEW**

**SECTION "b-b"**

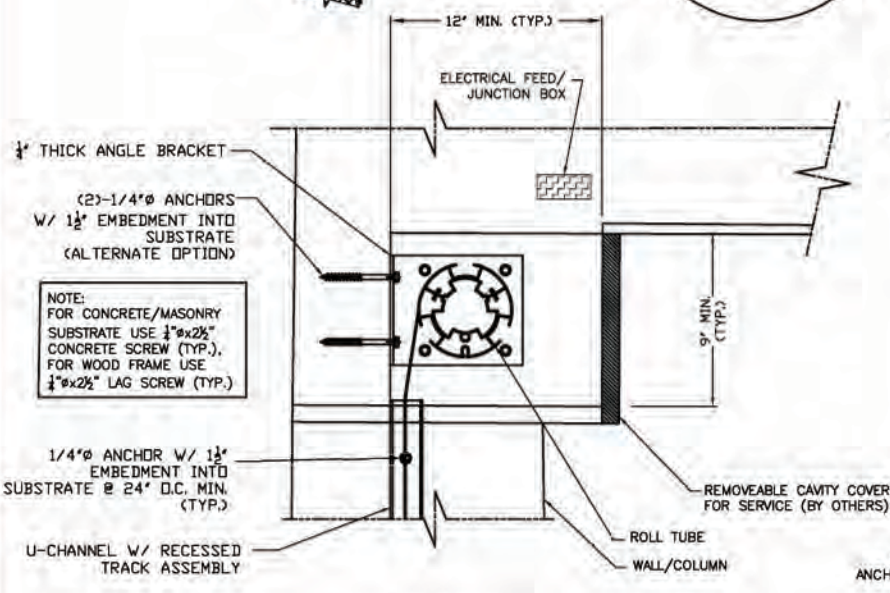
**PARTIAL PLAN VIEW OF ROLL DOWN SCREEN ASSEMBLY CONNECTION TO COLUMNS-WEB MOUNT**



**PLAN VIEW**

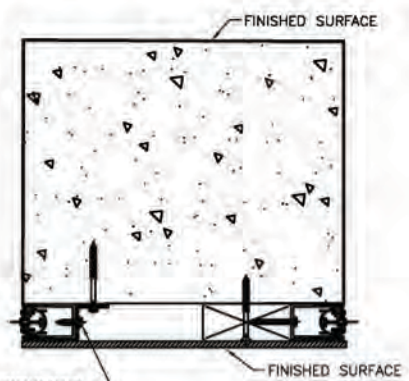
**SECTION "b-b"**

**PARTIAL PLAN VIEW OF ROLL DOWN SCREEN ASSEMBLY CONNECTION TO COLUMNS-WEB MOUNT**



**SECTION "a-a"**

**SECTION VIEW OF ROLL DOWN SCREEN ASSEMBLY CONNECTION (SIDE ACCESS PANEL)**



**PLAN VIEW**

**SECTION "b-b"**

**PARTIAL PLAN VIEW OF ROLL DOWN SCREEN ASSEMBLY CONNECTION TO COLUMNS-FLANGE MOUNT**



Rev.	Revision	Date	By

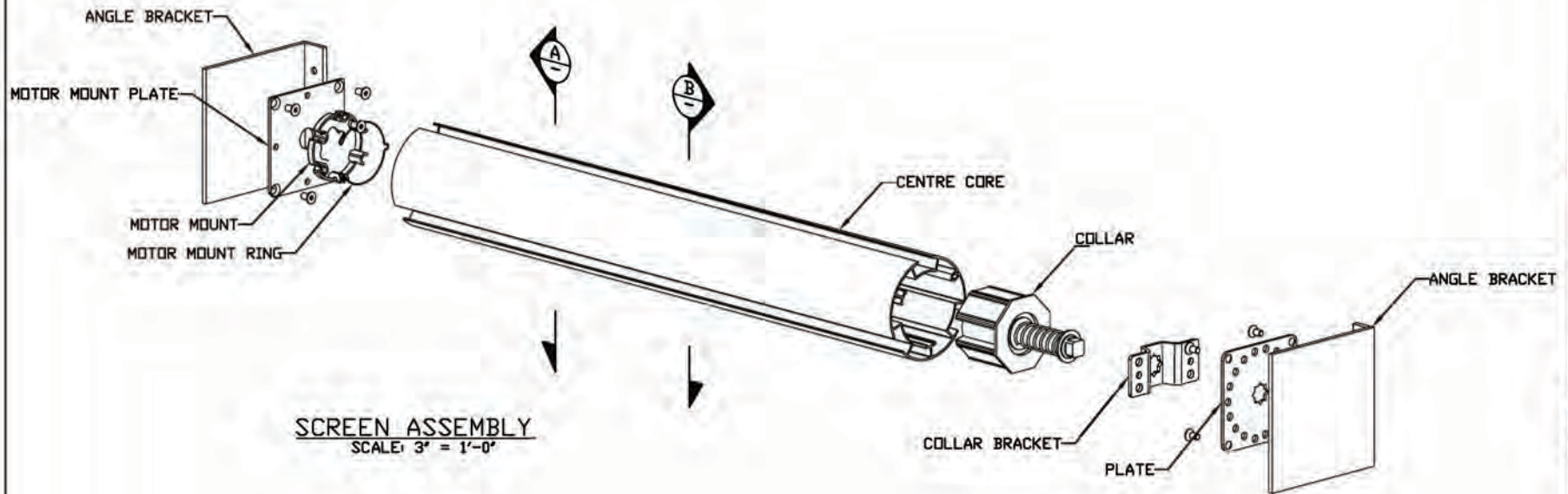
DRAWN BY:	SCALE: N.T.S.	DATE: 2-25-20
<b>RECESSED INSTALLATION</b>		

**A-03**

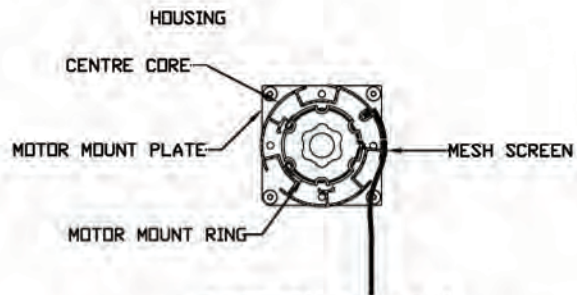


# Recessed Motorized Retractable Wall Screen Exploded Schematic View

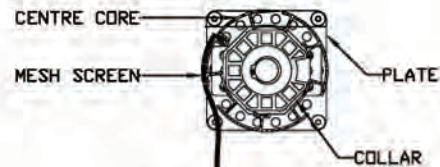
FOR ILLUSTRATION PURPOSES ONLY - ONLY CROSS SECTIONS DRAWN TO SCALE



SCREEN ASSEMBLY  
SCALE: 3" = 1'-0"



SECTION VIEW A  
SCALE: 3" = 1'-0"

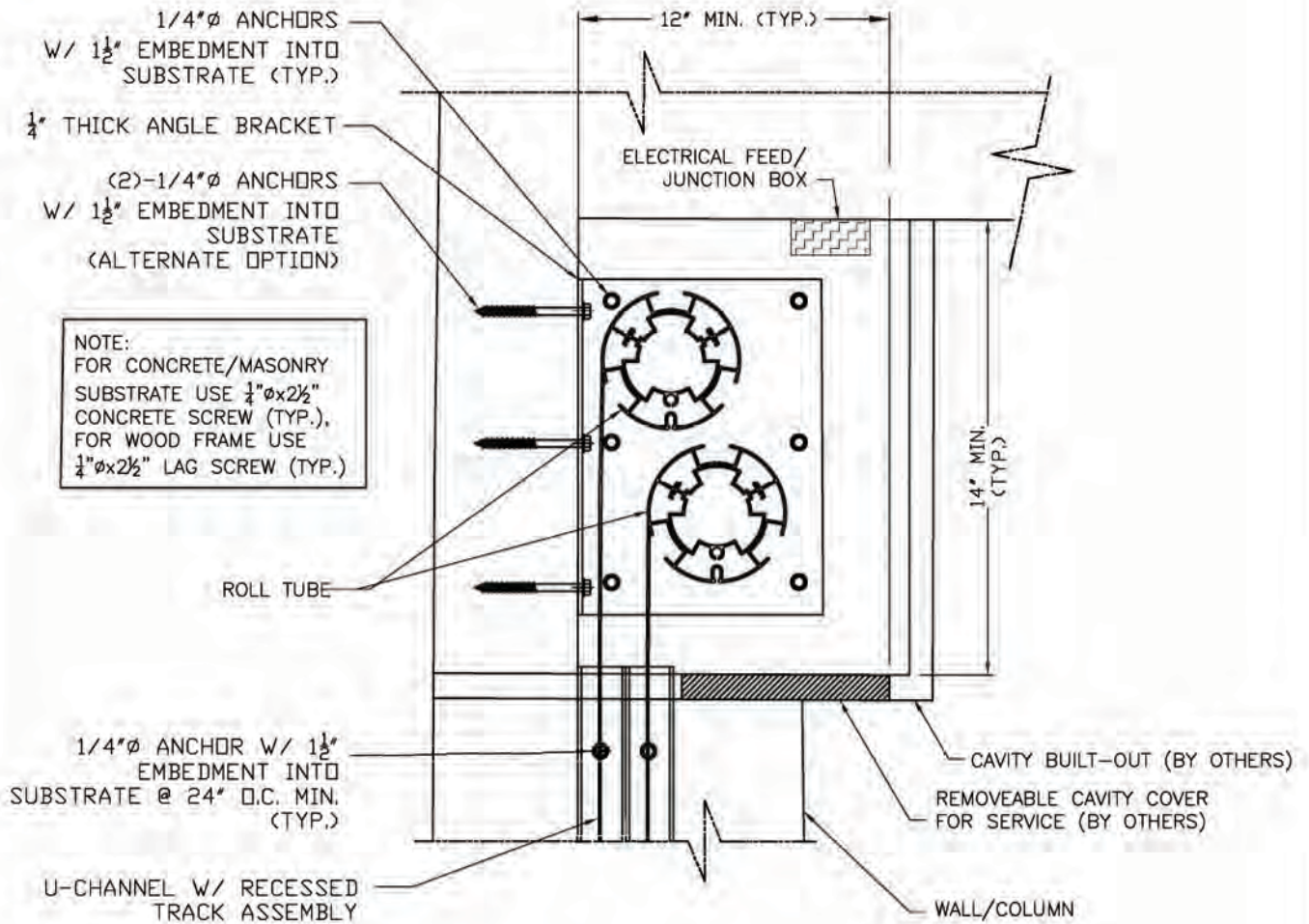


SECTION VIEW B  
SCALE: 3" = 1'-0"

<b>A-04</b>	
DATE:	<b>RECESSED INSTALLATION</b>
SCALE: N.T.S.	
DRAWN BY:	
DATE:	
REVISION:	
REV:	







SECTION "a-a"  
SECTION VIEW OF DUAL UNITS ROLL DOWN SCREEN  
ASSEMBLY CONNECTION (BOTTOM ACCESS PANEL)